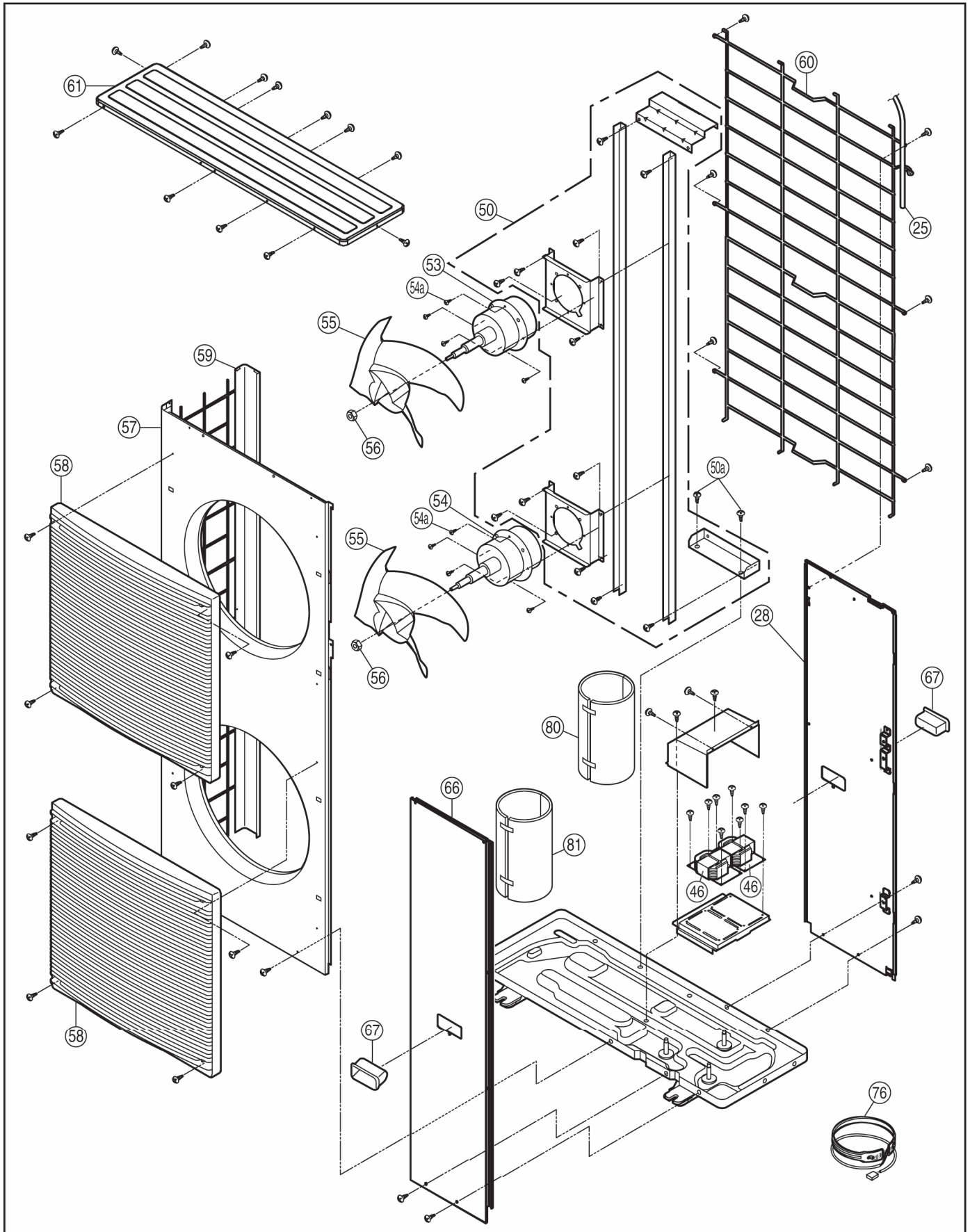
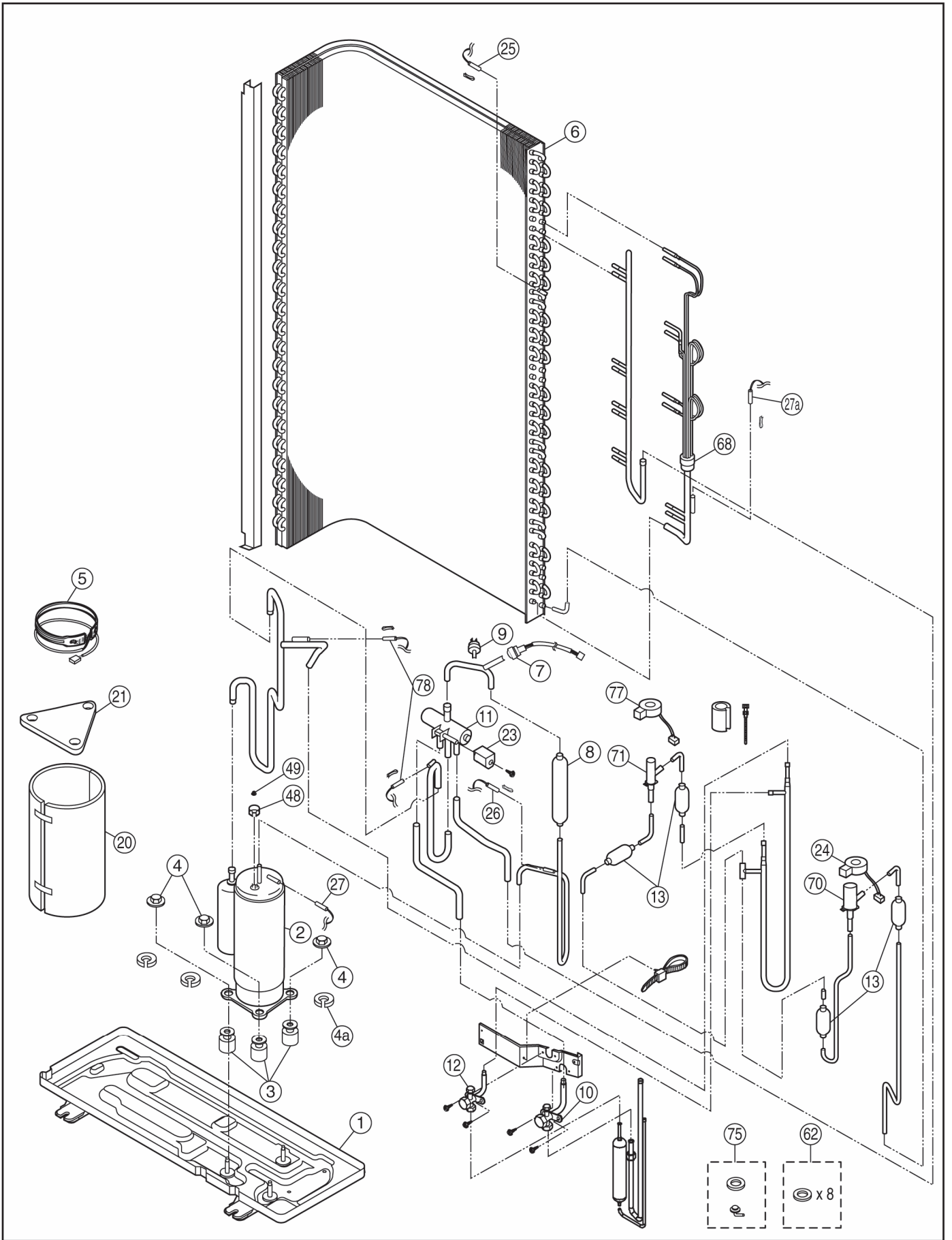
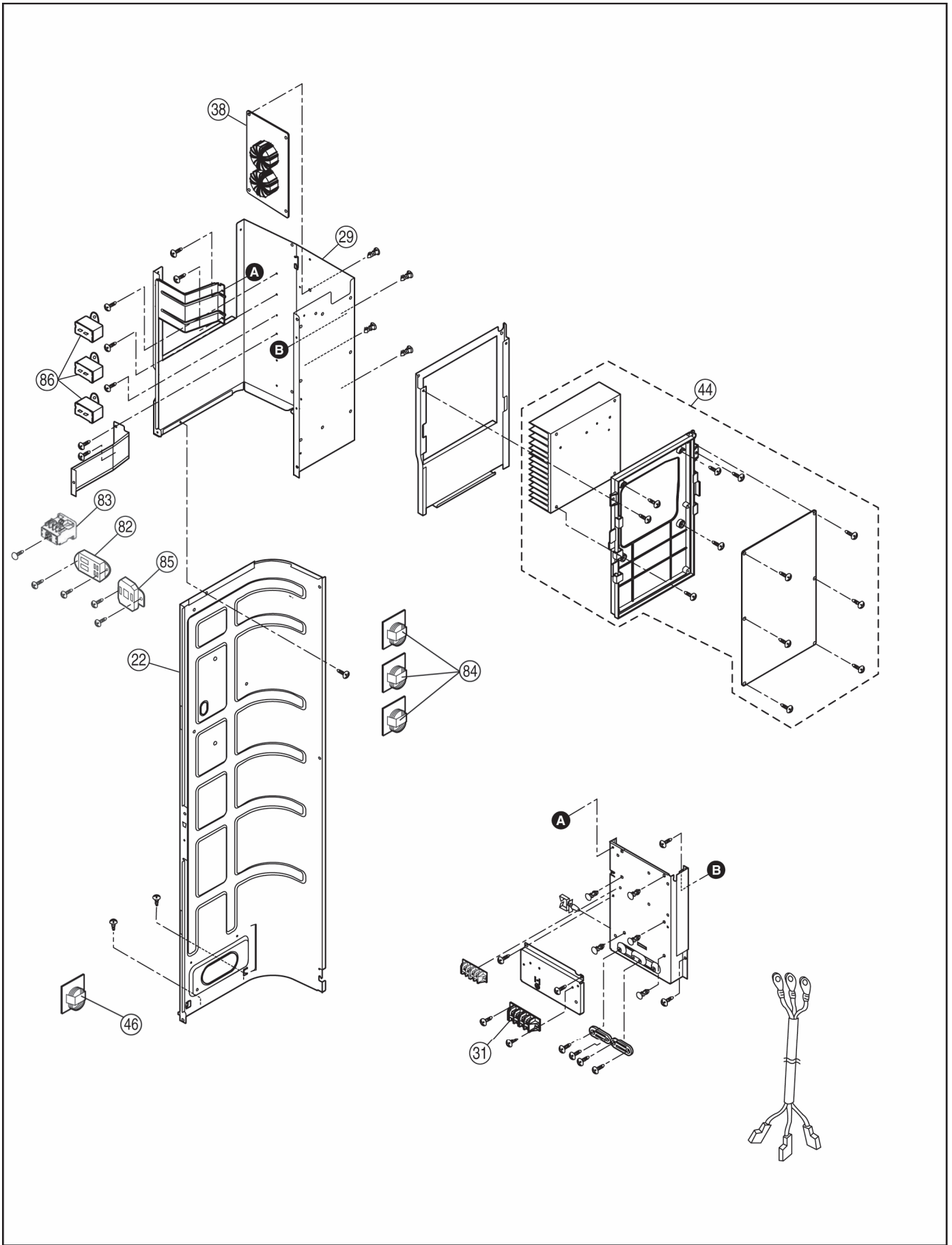


19. Exploded View and Replacement Parts List

19.1 (Refrigerant System)







Note
 The above exploded view is for the purpose of parts disassembly and replacement.
 The non-numbered parts are not kept as standard service parts.

<Model: Refrigerant System>

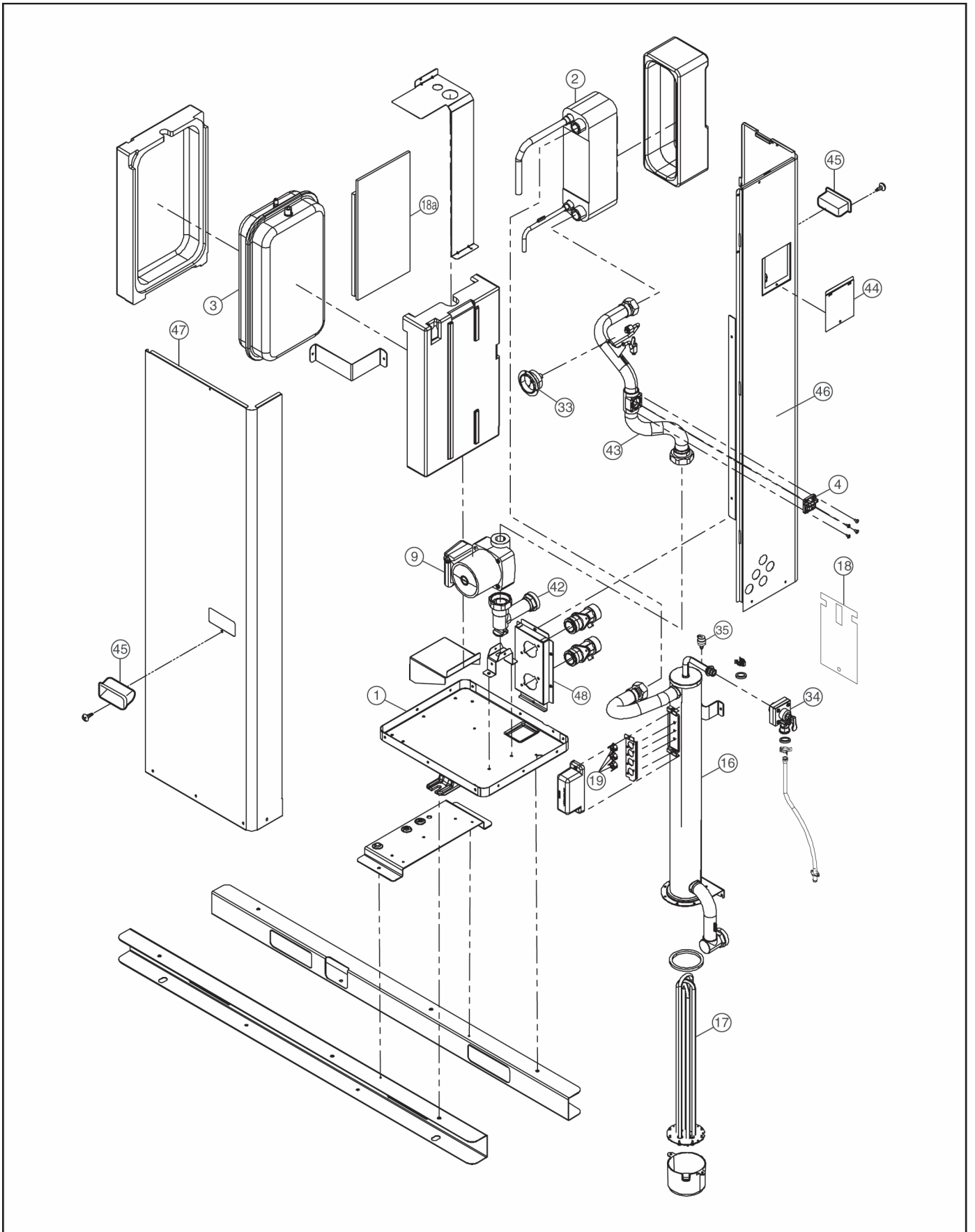
| REF. NO. | DESCRIPTION & NAME | QTY. | WH-MXC09D3E8 (WH-MXC09D3E8-1) | WH-MXC12D9E8 (WH-MXC12D9E8-1) | REMARK |
|----------|------------------------------|------|----------------------------------|----------------------------------|--------|
| 1 | BASE PAN ASS'Y | 1 | CWD52K1276 | ← | |
| 2 | COMPRESSOR | 1 | 5JD420XBA22 | ← | O |
| 3 | BUSHING - COMPRESSOR MOUNT | 3 | CWH50055 | ← | |
| 4 | NUT-COMPRESSOR MOUNT | 3 | CWH561049 | ← | |
| 4a | GASKET FOR TERMINAL COVER | 3 | CWB811017 | ← | |
| 5 | CRANKCASE HEATER | 1 | CWA341053 | ← | |
| 6 | CONDENSER COMPLETE | 1 | CWB32C3035 | ← | |
| 7 | HIGH PRESSURE SENSOR | 1 | CWA50C2570 | ← | O |
| 8 | DISCHARGE MUFFLER | 1 | CWB121014 | ← | |
| 9 | PRESSURE SWITCH | 1 | CWA101013 | ← | O |
| 10 | 3-WAYS VALVE (GAS) | 1 | CWB011700 | ← | O |
| 11 | 4-WAYS VALVE | 1 | CWB001046 | ← | O |
| 12 | 3-WAYS VALVE (LIQUID) | 1 | CWB011699 | ← | O |
| 13 | STRAINER | 4 | CWB111032 | ← | |
| 20 | SOUND PROOF MATERIAL | 1 | CWG302265 | ← | |
| 21 | SOUND PROOF MATERIAL | 1 | CWG302266 | ← | |
| 22 | SOUND PROOF BOARD | 1 | CWH15K1031 | ← | |
| 23 | V-COIL COMPLETE-4-WAYS VALVE | 1 | CWA43C2169J | ← | O |
| 24 | V-COIL COMPLETE | 1 | CWA43C2385 | ← | O |
| 25 | SENSOR-COMP.TEMP./COIL | 1 | CWA50C2730 | ← | O |
| 26 | SENSOR-COMP.DISCHARGE | 1 | CWA50C2576 | ← | O |
| 27 | SENSOR-COMPLETE | 1 | CWA50C2629 | ← | O |
| 27a | SENSOR-COMP.DEFROST | 1 | CWA50C2577 | ← | O |
| 28 | CABINET REAR PLATE-COMPLETE | 1 | CWE02K1019A | ← | |
| 29 | CONTROL BOARD CASING | 1 | CWH10K1049 | ← | |
| 31 | TERMINAL BOARD ASS'Y | 1 | CWA28K1214 | ← | O |
| 38 | ELECTRONIC CONTROLLER | 1 | CWA745822 | ← | O |
| 44 | ELECTRONIC CONTROLLER (MAIN) | 1 | CWA73C5787R | CWA73C5788R | O |
| 46 | REACTOR | 3 | G0C293J00001 | ← | O |
| 48 | TERMINAL COVER | 1 | CWH171039A | ← | |
| 49 | NUT-TERMINAL COVER | 1 | CWH7080300J | ← | |
| 50 | FAN MOTOR BRACKET | 1 | CWD54K1024 | ← | |
| 50a | SCREW-FAN MOTOR BRACKET | 2 | CWH551040J | ← | |
| 53 | FAN MOTOR | 1 | EHDS83CAC | ← | O |
| 54 | FAN MOTOR | 1 | EHDS83DAC | ← | O |
| 54a | SCREW-FAN MOTOR MOUNT | 8 | CWH551323 | ← | |
| 55 | PROPELLER FAN ASSY | 2 | CWH00K1006 | ← | |
| 56 | NUT | 2 | CWH561092 | ← | |
| 57 | CABINET FRONT PLATE | 1 | CWE061098A | ← | |
| 58 | DISCHARGE GRILLE | 2 | CWE201073 | ← | |
| 59 | CABINET SIDE PLATE ASSY | 1 | CWE04K1023A | ← | |
| 60 | WIRE NET | 1 | CWD041103A | ← | |
| 61 | CABINET TOP PLATE | 1 | CWE03C1105 | ← | |
| 62 | ACCESSORY CO. (RUBBER CAP) | 1 | CWH82C1839 | ← | |
| 66 | CABINET FRONT PLATE | 1 | CWE061274A | ← | |
| 67 | HANDLE | 4 | CWE161014 | ← | |
| 68 | TUBE ASSY (CAP.TUBE) | 1 | CWT07K1541 | ← | |
| 70 | EXPANSION VALVE | 1 | CWB051028 | ← | |
| 71 | EXPANSION VALVE | 1 | CWB051029 | ← | O |
| 75 | ACCESSORY CO. (DRAIN ELBOW) | 1 | CWG87C2030 | ← | |
| 76 | CRANKCASE HEATER (BASE PAN) | 1 | CWA341071 | ← | |
| 77 | V-COIL COMPLETE | 1 | CWA43C2335 | ← | |
| 78 | SENSOR-COMP.BYPASS | 1 | CWA50C2807 | ← | |

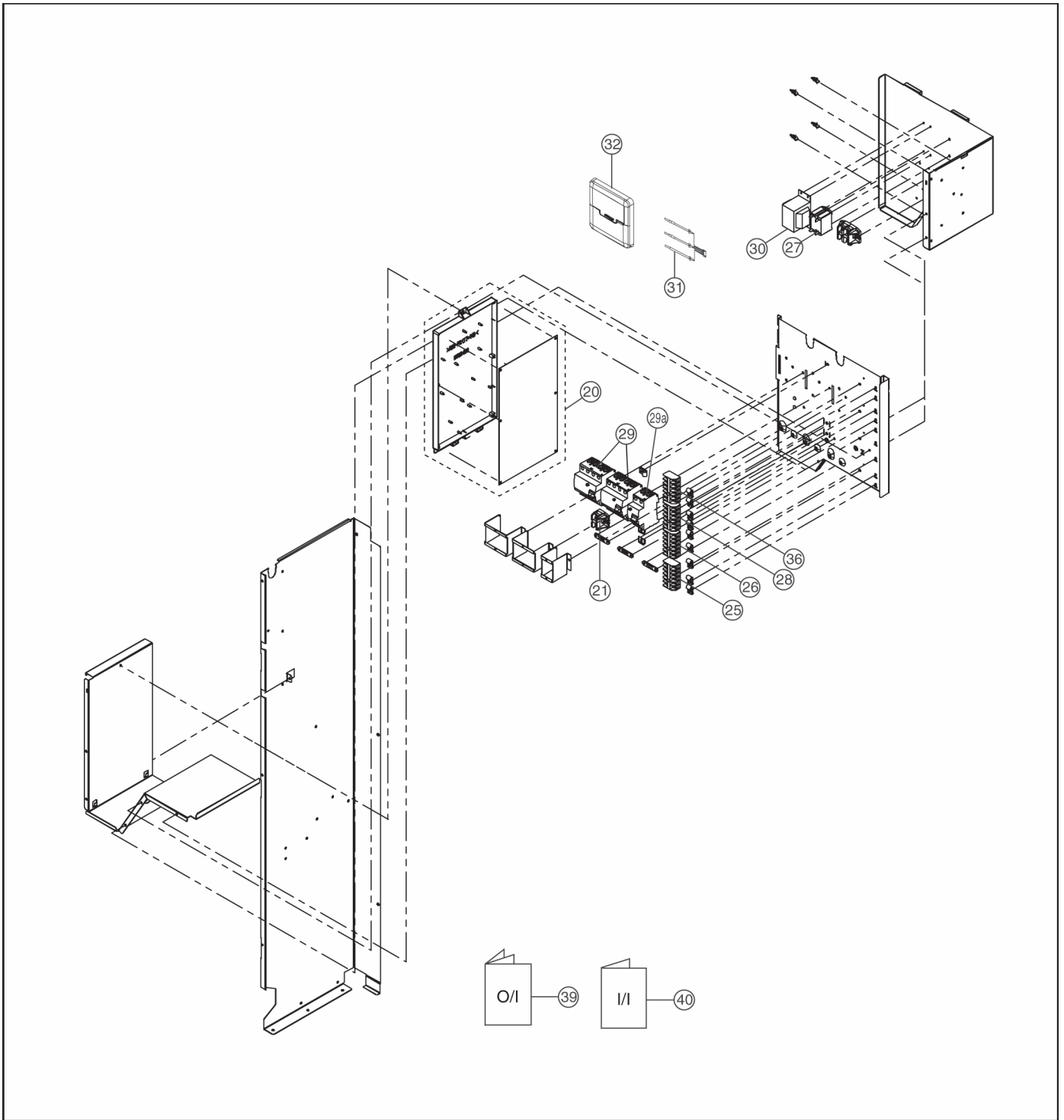
| REF. NO. | DESCRIPTION & NAME | QTY. | WH-MXC09D3E8 (WH-MXC09D3E8-1) | WH-MXC12D9E8 (WH-MXC12D9E8-1) | REMARK |
|----------|-------------------------|------|----------------------------------|----------------------------------|--------|
| 80 | SOUND PROOF MATERIAL | 1 | CWG302598 | ← | |
| 81 | SOUND PROOF MATERIAL | 1 | CWG302599 | ← | |
| 82 | ELECTRO MAGNETIC SWITCH | 1 | K6C2AGA00002 | ← | O |
| 83 | ELECTRO MAGNETIC SWITCH | 1 | K6C4E8A00001 | ← | O |
| 84 | REACTOR | 3 | G0C153J00009 | ← | O |
| 85 | PTC THERMISTORS | 1 | D4DDG1010001 | ← | O |
| 86 | CAPACITOR-FM | 3 | DS441205NPQA | ← | |

(Note)

- All parts are supplied from PAPAMY, Malaysia (Vendor Code: 00029488).
- "O" marked parts are recommended to be kept in stock.

19.2 (Water System)





Note
 The above exploded view is for the purpose of parts disassembly and replacement.
 The non-numbered parts are not kept as standard service parts.

<Model: Water System>

| REF. NO. | DESCRIPTION & NAME | QTY. | WH-MXC09D3E8 (WH-MXC09D3E8-1) | WH-MXC12D9E8 (WH-MXC12D9E8-1) | REMARK |
|----------|------------------------------|------|----------------------------------|----------------------------------|--------|
| 1 | BASE PAN ASS'Y | 1 | CWD52K1242 | ← | |
| 2 | HOT WATER COIL-COMPLETE | 1 | CWB90C1046 | ← | O |
| 3 | RECEIVER | 1 | CWB141039 | ← | |
| 4 | FLOAT (FLOW SWITCH) | 1 | CWB601008 | ← | O |
| 9 | PUMP | 1 | CWB532096 | ← | O |
| 16 | BOTTLE COMP. | 1 | CWH90C0033 | ← | |
| 17 | HEATER ASS'Y | 1 | CWA34K1029 | CWA34K1030 | |
| 18 | SOUND PROOF MATERIAL | 1 | CWG302592 | ← | |
| 18a | SOUND PROOF MATERIAL | 1 | CWG302594 | ← | |
| 19 | THERMOSTAT | 4 | CWA151065 | ← | O |
| 20 | ELECTRONIC CONTROLLER (MAIN) | 1 | CWA73C6755R | CWA73C6756R | O |
| 21 | TERMINAL BOARD ASS'Y | 1 | CWA28K1200 | ← | O |
| 25 | TERMINAL BOARD ASS'Y | 1 | CWA28K1211 | ← | O |
| 26 | TERMINAL BOARD ASS'Y | 1 | CWA28K1221 | ← | O |
| 27 | MAGNET RELAYS | 1 | K6C1AYY00004 | ← | O |
| 28 | TERMINAL BOARD ASS'Y | 1 | CWA28K1222 | ← | O |
| 29 | CIRCUIT BREAKER | 2 | CWA181008 | ← | O |
| 29a | CIRCUIT BREAKER | 1 | CWA181005 | ← | O |
| 30 | TRANSFORMER-COMPLETE | 1 | CWA40C1096 | ← | O |
| 31 | SENSOR-COMPLETE | 1 | CWA50C2749 | ← | O |
| 32 | REMOTE CONTROL COMPLETE | 1 | CWA75C4020 | ← | O |
| 33 | PRESSURE GAUGE | 1 | CWB070001 | ← | O |
| 34 | PRESSURE RELIEF VALVE | 1 | CWB621092 | ← | |
| 35 | PRESSURE RELIEF VALVE | 1 | CWB621094 | ← | |
| 36 | TERMINAL BOARD ASS'Y | 1 | CWA28K1232 | ← | |
| 39 | OPERATING INSTRUCTION | 1 | CWF568657 | ← | |
| 40 | INSTALLATION INSTRUCTION | 1 | CWF615446 | ← | |
| 42 | TUBE CONNECTOR-COMPLETE | 1 | CWT29C1050 | ← | |
| 43 | TUBE CONNECTOR-COMPLETE | 1 | CWT29C1064 | ← | |
| 44 | CONTROL BOARD COVER | 1 | CWH131420A | ← | |
| 45 | HANDLE | 2 | CWE161014 | ← | |
| 46 | CABINET SIDE PLATE ASS'Y | 1 | CWE04K1060A | ← | |
| 47 | CABINET FRONT PLATE | 1 | CWE061275A | ← | |
| 48 | HOLDER COUPLING | 1 | CWH351181A | ← | |

(Note)

- All parts are supplied from PAPAMY, Malaysia (Vendor Code: 00029488).
"O" marked parts are recommended to be kept in stock.